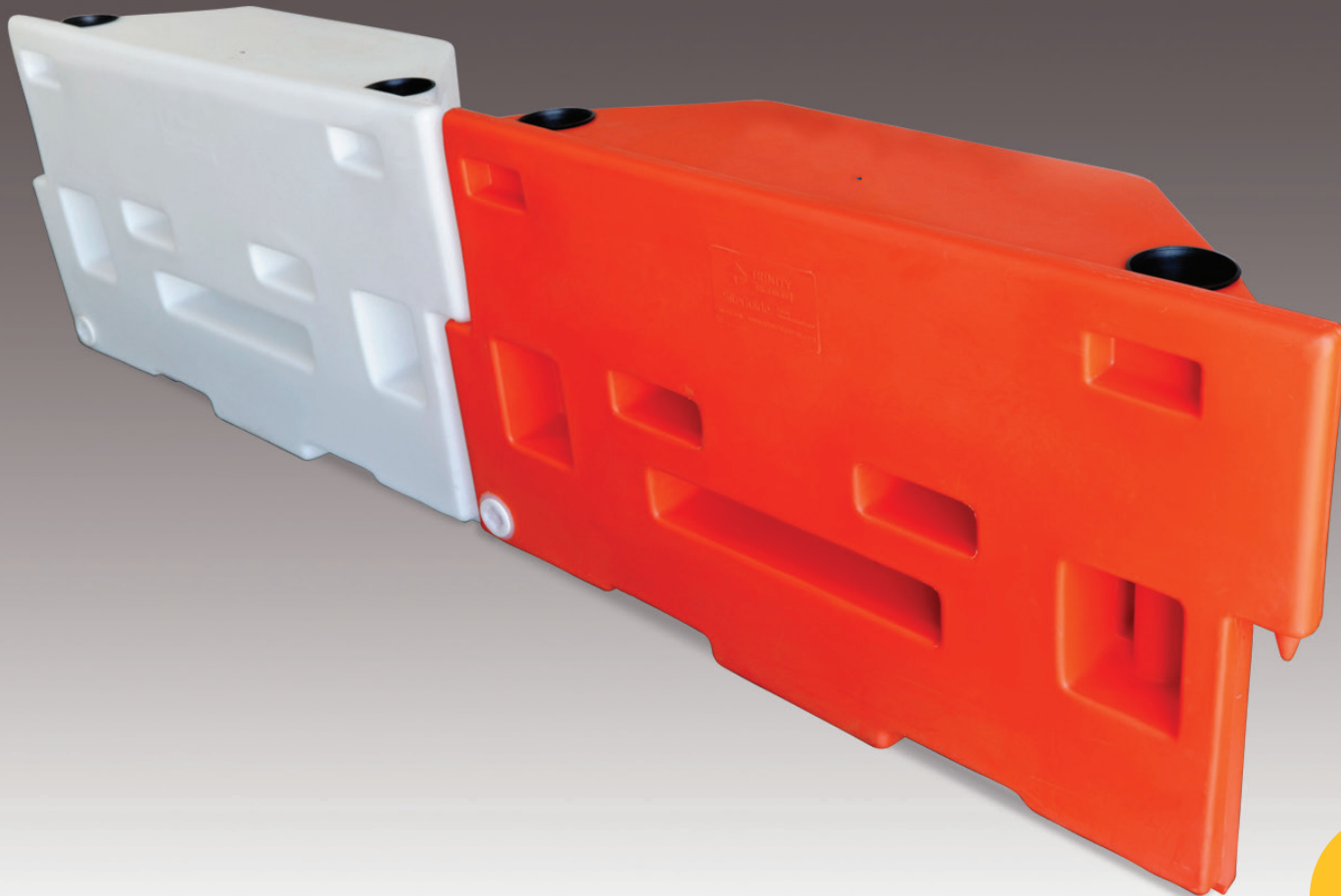


SiteGuide[®]

LONGITUDINAL CHANNELIZING DEVICE



MASH TESTED

SiteGuide®

The SiteGuide® is an ADA-compliant, plastic, water-filled Longitudinal Channelizing Device (LCD) used for traffic and pedestrian channelization, road and street closures and perimeter security for vertical construction. It is tested to MASH-16 TL-3 as an LCD.

SiteGuide® is ADA-compliant as a pedestrian channelization device. Individual units can articulate 270° while connected to create inside and outside corners.

APPLICATIONS

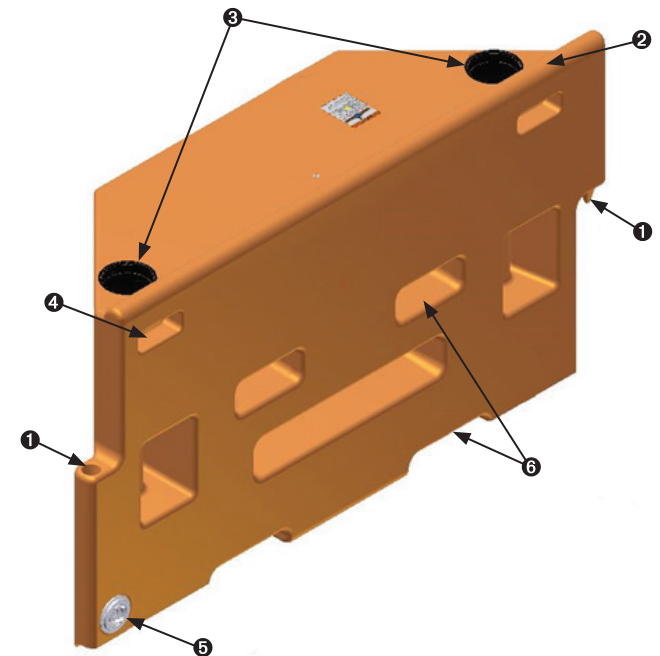
- Construction and Temporary Work Zones
- Longitudinal Channelizing Devices
- Perimeter Security
- ADA-compliant Pedestrian Channelization
- Parking Facilities
- Municipal and Public Utilities
- Special Events
- Crowd Control and Parks and Recreation

FEATURES

- Lightweight design facilitates convenient positioning by hand.
- ADA-compliant, continuous hand-trailing guide and continuous base for long-cane use.
- Can be accessorized with warning lights for traffic and pedestrian use.
- Front and rear-facing drain plugs enable drainage from either or both sides.
- Convenient hand holds for lifting and positioning.
- Ground-level forklift ports (also act as drainage for water run-off).
- Manufactured in the USA from durable Low Density Polyethylene (LDPE).
- Available in custom colors and standard high contrast orange or white.
- Tested to MASH-16 TL-3 as an LCD.

SPECIFICATIONS

- 5' Length
- 16" Width
- 33" Height
- Empty Weight: 49 lbs
- Full Weight: 668 lbs..
- Capacity: 74 gal.



- 1 Connecting Pin and Cup
- 2 Continuous Hand-Trailing Edge
- 3 Fill Holes
- 4 Integrated Hand Holds
- 5 Drain Plug
- 6 Forklift Ports

DISTRIBUTED BY