

SAFE-HIT®

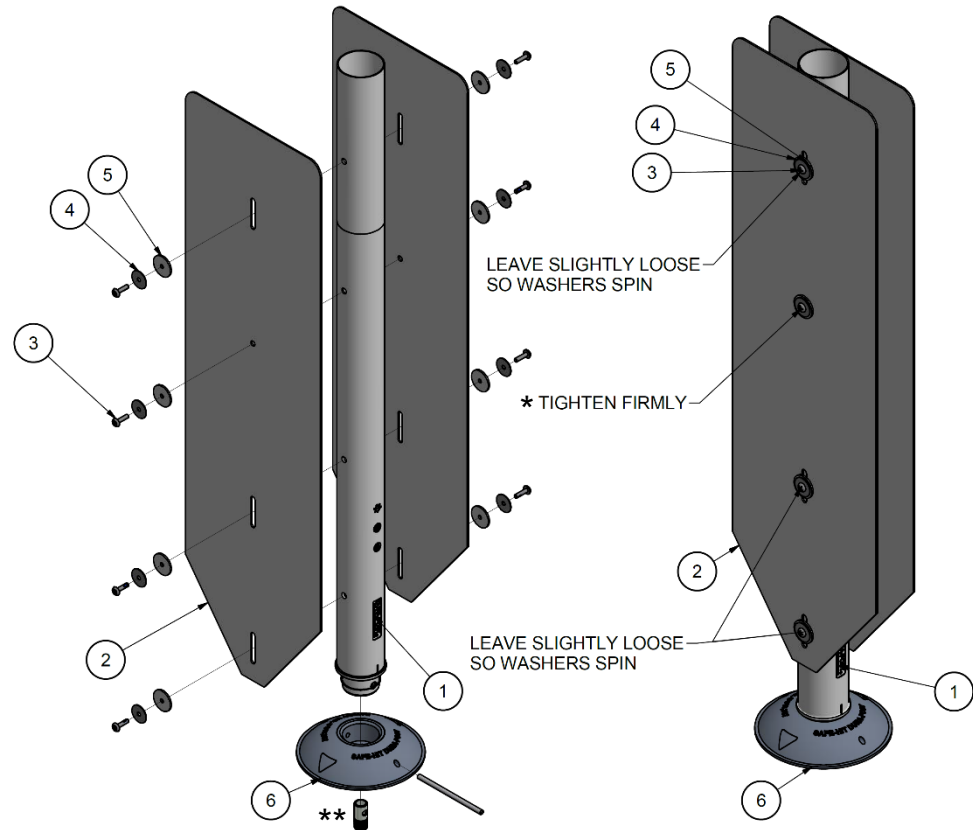
DURA-POST® VERTICAL PANELS, TWISTER® BASE

SINGLE OR DOUBLE VERTICAL PANELS

IMPORTANT: READ ALL INSTRUCTIONS FIRST.

ASSEMBLY INSTRUCTIONS & PARTS LIST

1. ASSEMBLE THE SCREW STUB AND BASE TO THE POST PER INSTRUCTION 115428.
2. ALIGN THE PANEL INTO POSITION OVER THE THREADED INSERTS ON THE POST.
3. ASSEMBLE FASTENERS, ITEM 3, ITEM 4, AND ITEM 5.
- * 4. LEAVE SCREWS IN SLOTTED HOLES SLIGHTLY LOOSE SO THAT THE WASHERS SPIN FREELY. TIGHTEN THE SCREW FIRMLY IN THE NON-SLOTTED HOLE.
- ** 5. FOR APPLICATIONS WHERE THE ANCHOR IS PLACED IN ASPHALT OR CONCRETE, IT WOULD BE BEST TO ATTACH THE VERTICAL PANELS AFTER THE ANCHOR PLACEMENT IS COMPLETE AS THE POST MAY FALL OVER IF THE ANCHOR ADHESIVE ISN'T DRY (INSTRUCTION NO. 115428).



DOUBLE VERTICAL PANEL SHOWN

IT IS THE RESPONSIBILITY OF THE INSTALLER TO MAINTAIN A SAFE WORK AREA INCLUDING THE USE OF STANDARD WORK ZONE SAFETY EQUIPMENT & PPE: GLOVES, SAFETY-TOE SHOES, EYE & EAR PROTECTION

| ITEM | PN | DESCRIPTION | QTY. |
|------|--------|---|--------|
| 1 | VARIES | DURA-POST® W/VERTICAL MOUNTING HARDWARE | 1 |
| 2 | VARIES | VERTICAL PANEL | 1 OR 2 |
| 3 | 117028 | SCREW, TRUSS, 1/4-20X1,PHIL,NYLOCK,S | 4 OR 8 |
| 4 | 118015 | WASHER,FLAT,1/4X1 1/4,S | 4 OR 8 |
| 5 | 617422 | WASHER,HDPE,1 1/2 O.D. X .28 IDX .11 THICK | 4 OR 8 |
| 6 | 604950 | BASE ASSY, SCREW MOUNT, DURA-POST®, SLSMS-3PPBL | 1 |

Note: Some quantities adjusted when using Double Panels.