

SAFE-HIT®

PCD Mat, RubberTough® 360, Wheels Assembly

IT IS THE RESPONSIBILITY OF THE INSTALLER TO MAINTAIN A SAFE WORK AREA INCLUDING THE USE OF STANDARD WORK ZONE SAFETY EQUIPMENT & PPE: GLOVES, SAFETY-TOE SHOES, EYE & EAR PROTECTION

PN	Qty.	Description
115672	1	PCD Mat Assembly, RubberTough® 360
611092	1	Wheels, Kit, PCD, RubberTough® 360

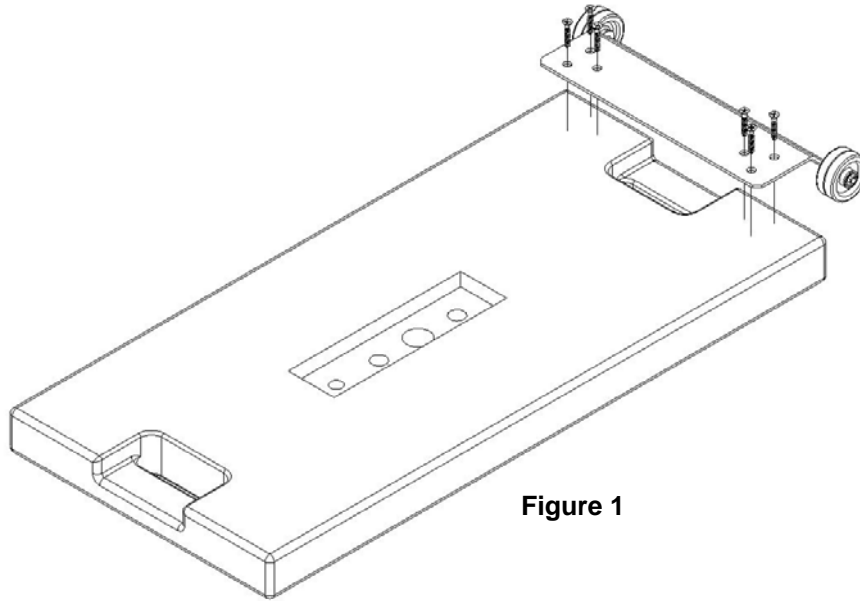


Figure 1

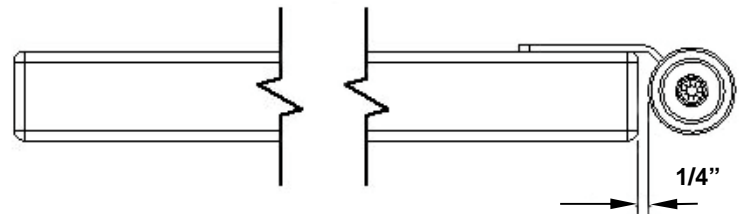


Figure 2

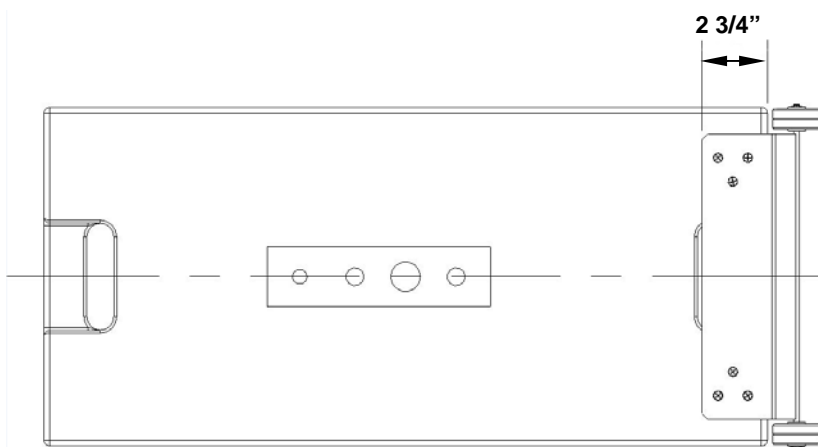


Figure 3

1. Position the bracket edge $2 \frac{3}{4}$ " from the edge of the mat and center it as shown in Figure 3.
2. Ensure the wheels do not contact the mat. Leave a $\frac{1}{4}$ " gap as shown in Figure 2.
3. Install the six (6) $1 \frac{1}{4}$ " long screws by pushing firmly while turning the screws. Tighten screws until snug, but do not over-tighten (Figure 1).