

# Safe-Hit<sup>®</sup> SQR-LOC

## FLEXIBLE DELINEATOR



MASH



## Safe-Hit® SQR-LOC® Flexible Delineator

The Safe-Hit® SQR-LOC® Flexible Delineator combines the Safe-Hit® Delineator Post with standard 2" perforated square tube anchors. The four-piece system consists of a post, anchor, collar, and pin. The system is assembled and secured with a single push-in roll-pin which helps to facilitate easier installation and maintenance. The Safe-Hit® SQR-LOC® Flexible Delineator is self-certified as a NCHRP Report 350 and MASH Category 1 Device, and tested to NTPEP. It can be configured to MUTCD requirements for delineators or channelizing devices and is ideal for soil mount applications.



### FEATURES

- Ultraviolet (UV) resistant post.
- Round post design can provide increased visibility in up to 360° direction.
- Standard post colors: white and yellow.
- Custom colors available.
- Four piece self-righting, self-locking system helps reduce installation and replacement time.
- Tested to NTPEP.

### COLLAR

#### 8" Protective Collar Designed to Help:

- **Protect** the post hinge point from cutting during wheel over impacts.
- **Reduce** tire puncture hazard by an exposed anchor.
- **Secure** the retaining pin.
- **Inhibit** vegetation growth around the post.
- **Provide** protection to the post from impacts within NCHRP Report 350 and MASH Category 1 Device crash test standards.

### ANCHOR

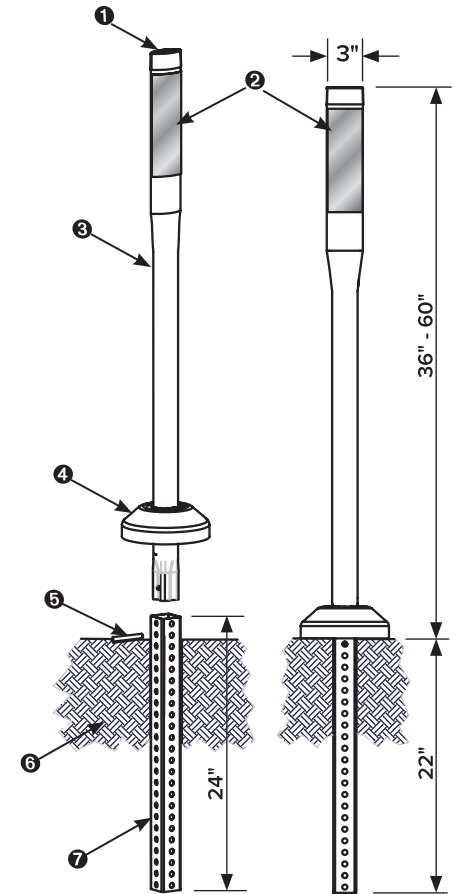
#### Standard 2" Perforated Square Tube Anchor:

- Common square sign post tube.
- Enables direct replacement of existing installations that need repair.
- Uses standard square sign post driver tools.
- Can be used for soil or concrete installations.

### POST

#### Uses Safe-Hit® Tube-in-Tube™ Delineator Technology:

- Tested for impacts including bumper and wheel overs.
- Same familiar look as standard Safe-Hit® Delineators.
- Cross-Crimp™ post fits a wide range of anchor tolerances.



- 1 Cap
- 2 Prismatic Reflective Strip
- 3 SQR-LOC Delineator
- 4 Protective Collar
- 5 3/8" x 3" Slotted Spring Pin
- 6 Soil
- 7 2" x 2" x 24" 12 GA Perforated Tube

DISTRIBUTED BY